

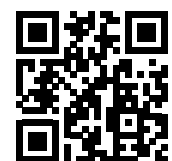
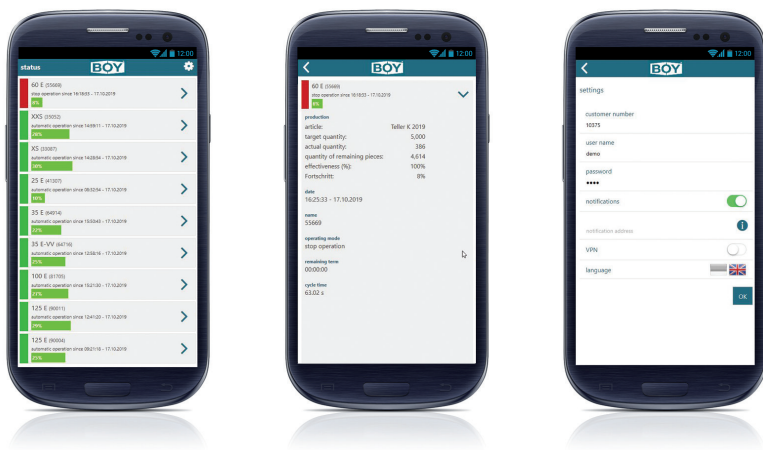
## Are my injection moulding machines running optimally?

Check this from everywhere – with the free BOY-App



With the BOY's new machine status-app you will always get easily the most important parameters of your BOY machine on your Smartphone or tablet.

You will get detailed and graphically prepared data on the status of the individual machines, on target and actual quantities and information on the remaining run-time of the order and the efficiency.



<http://status.dr-boy.de>

A coloured highlighted bar signals immediately:

**Green** = the BOY injection moulding machine works without any problems in the auto mode.

**Yellow** = the machine works in the manual mode or setting mode.

**Red** = machine malfunction and production-stop.

Prerequisite for the online connection of your BOY-injection moulding machines from control Procan ALPHA® 2\* is a separate data collector as well as an Internet connection.

Thus the machine data are sent around the clock to an external Server and they are retrievable for the user only by mobile terminals with the BOY-status-app. (See: <http://status.dr-boy.de>)

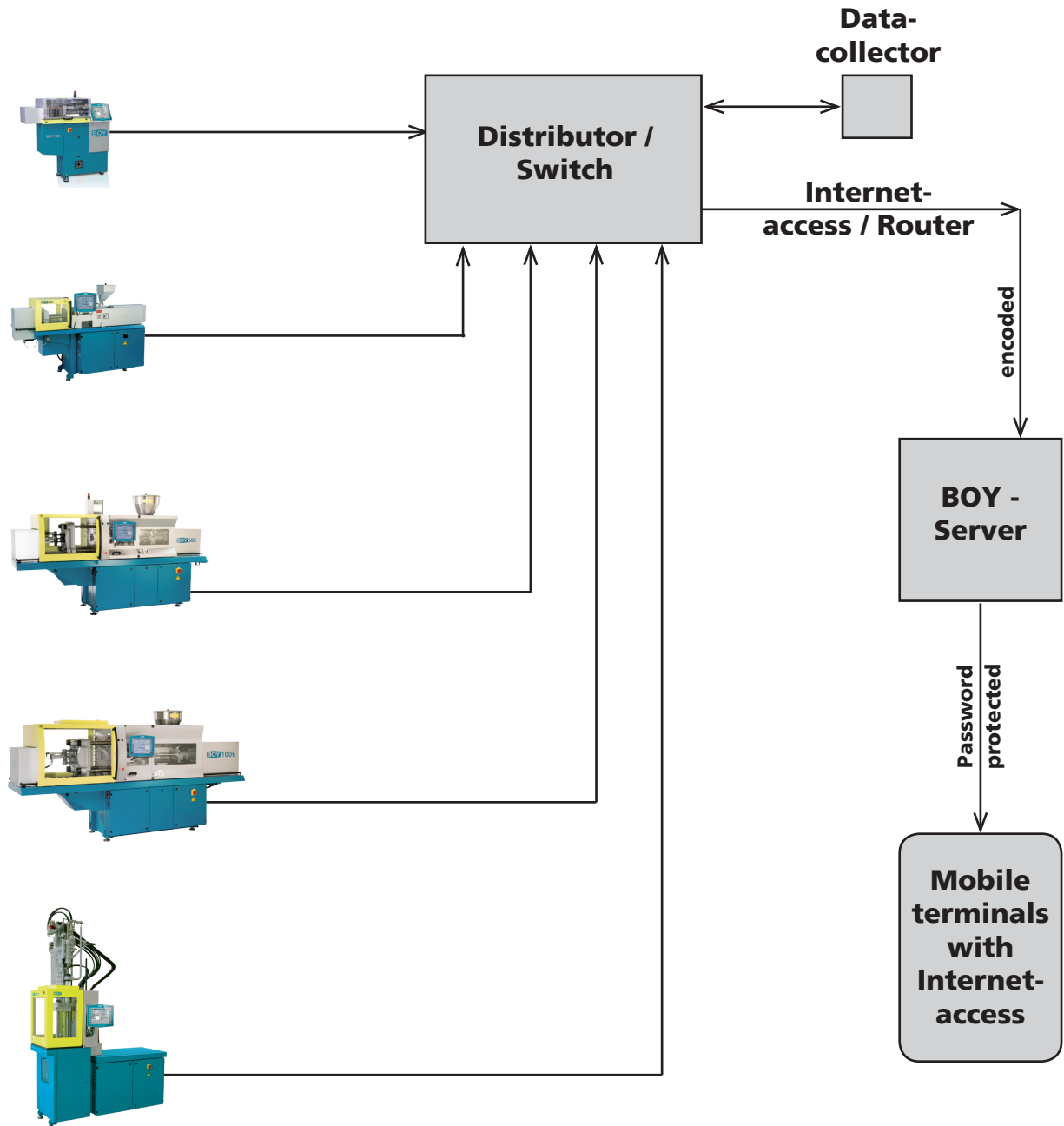
\* For the connection of older BOY injection moulding machines additional costs may arise



Spritzgiessautomaten

**Special price (once only) for all machines: € 975,-**

Machines can only be connected from the control Procan ALPHA® 2.  
 Costs arising at the customer's site to set up a network, the connection to the Internet, the preparation and the start-up of the machines are not included in this price.



You would like to learn more about BOY ?



Data and Equipment (complete overview)



Competence brochure



**Dr. Boy GmbH & Co. KG**

Industriegebiet Neustadt / Wied  
 Neschener Str. 6  
 53577 Neustadt-Ferndal  
 Germany

Phone: +49 (0)2683 307-0  
 Fax: +49 (0)2683 307-4555  
 E-Mail: info@dr-boy.de  
 Internet: www.dr-boy.de



BOY-APP  
 free of charge at  
<http://app.dr-boy.de>

